

8

7

6

5

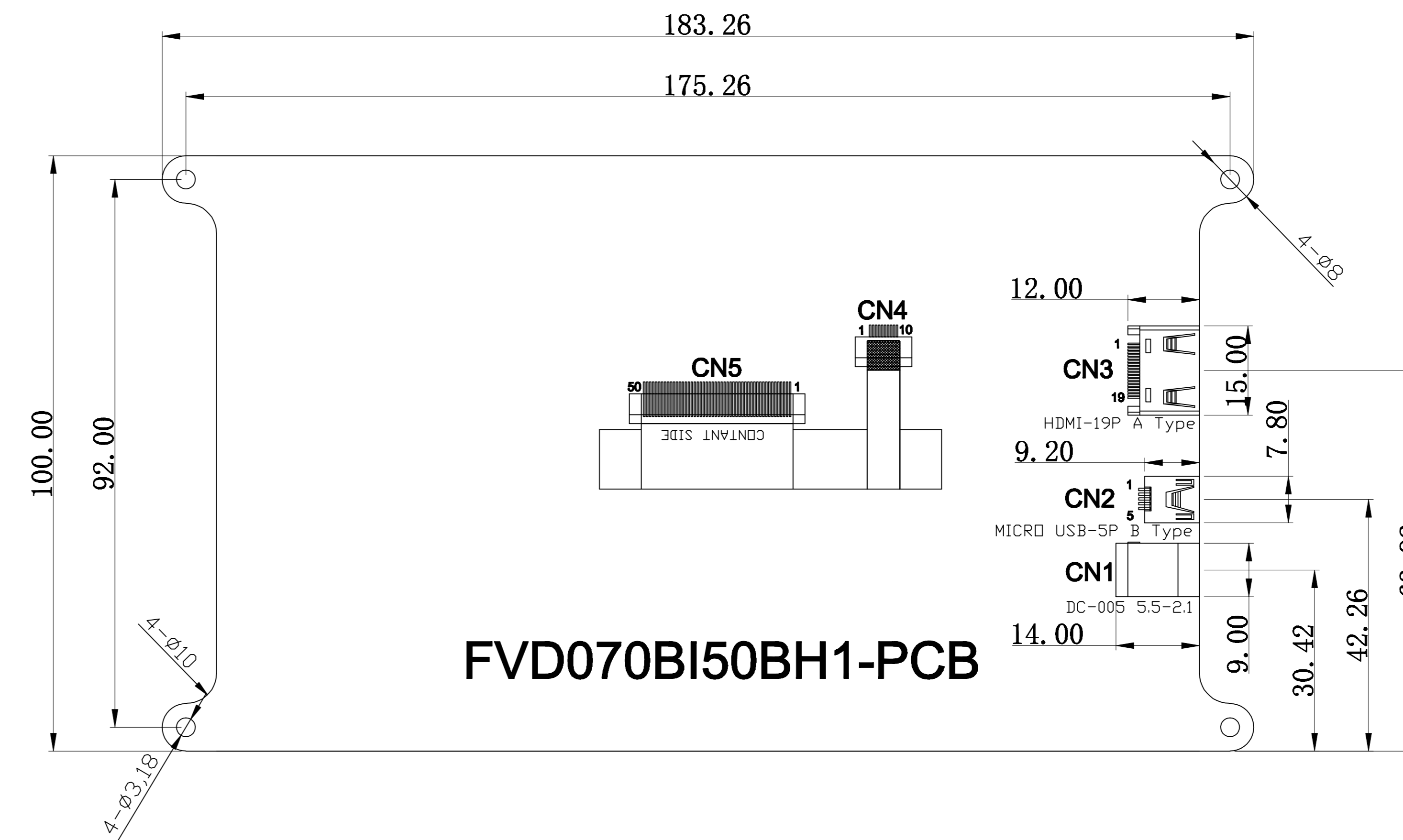
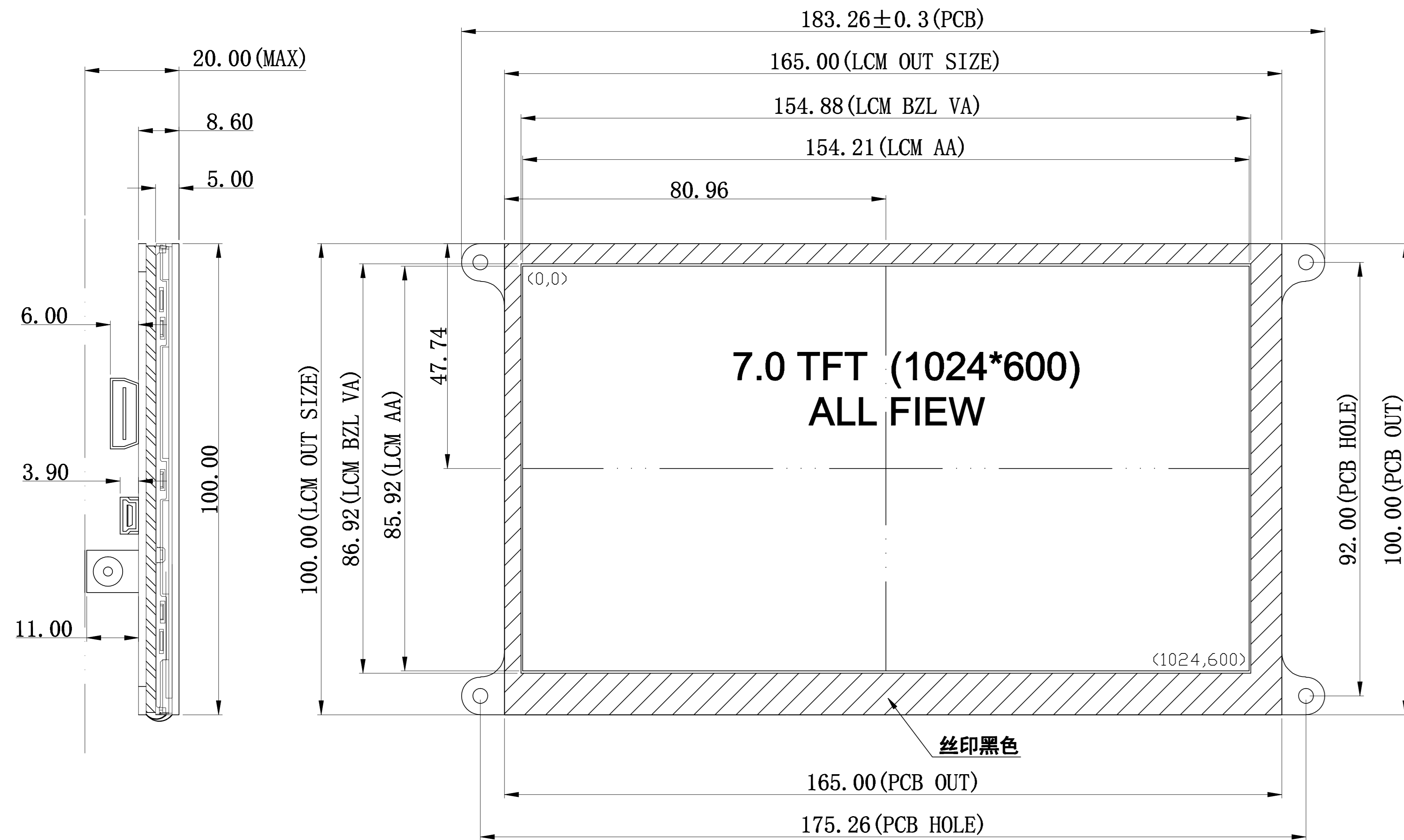
4

3

2

1

REV:	DESCRIPTION:	BY	DATE
A0	First Design	JSW	2017-10-13



CN1 (POWER)

1	+5V
2	GND

CN2 (CTP-USB)

1	GND
2	Sense
3	USB-D+
4	USB-D-
5	+5V

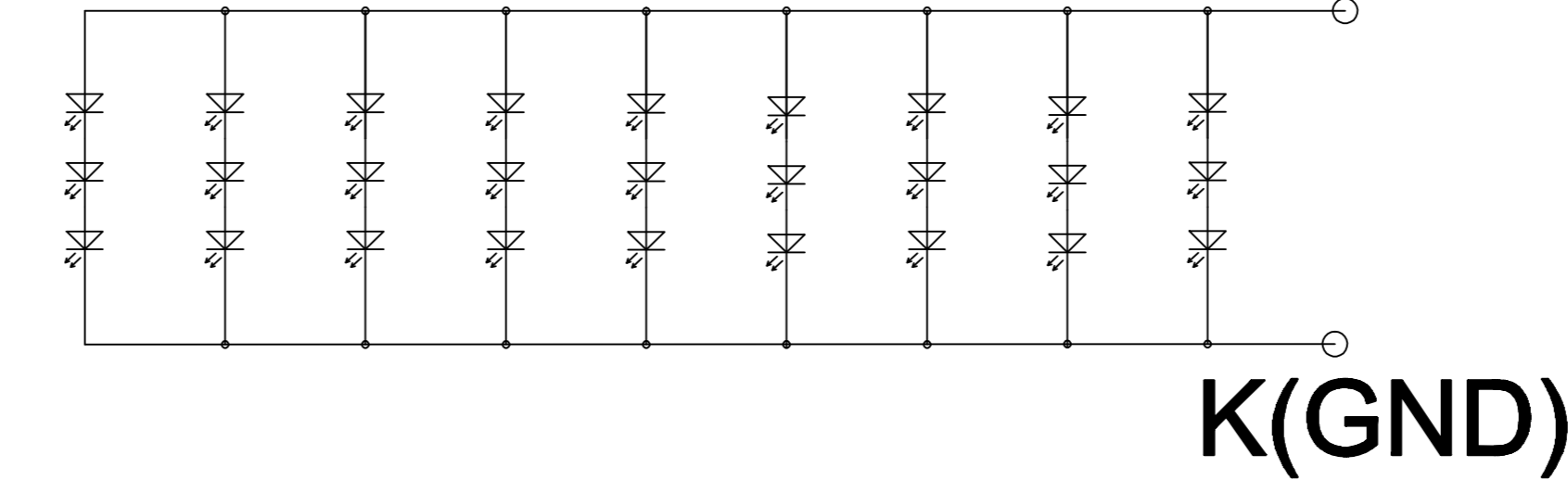
CN3 (HDMI)

1	RX-D2+
2	GND
3	RX-D2-
4	RX-D1+
5	GND
6	RX-D1-
7	RX-D0+
8	GND
9	RX-D0-
10	RX-DCLK+
11	GND
12	RX-DCLK-
13	CEC
14	NC
15	SCL
16	SDA
17	GND
18	+5V
19	HOT-DET

CN4 (CTP-IN)

1	NC
2	NC
3	RST
4	GND
5	INT
6	SDA
7	SCL
8	GND
9	GND
10	VDD

LED CIRCUIT A(9.6V)



CN5 (LCD)

NO.	1	2	3	4	5	6	7	8	9	10	11	12	13	14
NAME	VLED+	VLED+	VLED-	VLED-	GND	VCOM	DVDD	MODE	DE	VS	HS	B7	B6	B5
NO.	15	16	17	18	19	20	21	22	23	24	25	26	27	28
NAME	B4	B3	B2	B1	B0	G7	G6	G5	G4	G3	G2	G1	G0	R7
NO.	29	30	31	32	33	34	35	36	37	38	39	40	41	42
NAME	R6	R5	R4	R3	R2	R1	R0	GND	DCLK	GND	L/R	U/D	VGH	VGL
NO.	43	44	45	46	47	48	49	50						
NAME	AVDD	RESET	NC	VCOM	DITHB	GND	NC	NC						

UNLESS OTHERWISE NOTED:

DRAWING TYPE: HDMI

REV: A0

UNITS

DECIMAL

DRAWING No.: FVD070BI50BH1-C01

MM

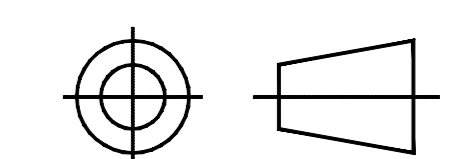
0 TO 6 ±0.1  
6 TO 30 ±0.2  
30 TO 100 ±0.3

CHECKED BY: DATE:

ANGLES

PLATED THRU HOLES +0.08  
-0.03

THIRD ANGLE PROJECTION



±0.5°

NON-PLATED THRU HOLES +0.08  
-0.03

SCALE 1 : 1

SHEET: 1 OF 1

No.	Item	Specification	Unit
1	LCM Design	7.0TFT+CTP+PCBA	-
2	Number of Pixels	1024(W)x3(RGB)x600(H)	pixels
3	Active Area	154.21(H)x85.92(V)	mm
4	Outline Dimension	183.26(W)x100.00(H)x20.00(T)	mm
5	Display Mode	IPS	-
6	Viewing Direction	ALL VIEW	-
7	Display Color	16.7M	-
8	Contrast Ratio	500(TYPE)	-
9	Backlight	White LED(3*9)	-
10	Luminance(cd/m2)	600(MIN)	cd/m2
11	Operation Temp.	-20~70 °C	°C
12	Operation Current	850 mA @ 5.0V	mA
13	Interface	HDMI Video and USB Touch	-
14	Download Port	NC	-
15	External Interface	VDD(5.0V) Power Input	-

4

3

2

1